



Service Bulletin No. 1071

For ABC/ICP-staff only

COACH MODEL : C2045

BULLETIN TYPE : Product improvement

MANUAL & SECTION : N/A

DATE : January 31st, 2001

SUBJECT : Front aisle frame reinforcement

TERMS & CONDITIONS : Parts may be obtained through regular channels. Parts and labor allowance will be provided as per separate letter of agreement. Job code reference : O09016N.

DESCRIPTION :

On some coaches a noise may be noticed emanating from the aisle floorboard, when passengers walk past the first or second seat row. This comfort issue may be remedied by installing the countermeasure described in this Bulletin. Refer to the service procedures below for detailed fitting instructions.

VIN CUT-IN :

The issue subject of this Bulletin has been addressed in Van Hool production on and after :

Coach type	Model	Engine	VIN cut-in
Commuter	C2045	Detroit Diesel	45565*
		Cummins	45059*

*VIN 45058, 45549, 45555, 45556, 45561 and 45562 already have been converted at the factory.

This Bulletin is one of a special series, custom made for ABC/ICP and intended for internal use by these companies and their branches. Under no circumstances should information contained herein be made public or used to replace or supplement customer oriented information without prior consent by Van Hool.

PARTS :

Always use genuine maintenance products and parts. Do not accept imitations.

Part No.	Description	Qty.*
VH 10726316	Brace, reinforcement for floor frame above front axle	1
VH 10726302	Bracket, mounting for reinforcement brace VH 10726316	1
VH 10726402	Brace, reinforcement for floor frame above fuel tank	1
VH 660193602	Tape, two-sided self-adhesive, 30 x 2 mm	#
VH 660229754	Bolt, stainless steel, M 6 x 1 x 20 mm	4
VH 660209922	Nut, stainless steel, M6	4
VH 660623508	Washer, plain	4
VH 660636302	Lockwasher, M6	4

* Quantities per coach

SERVICE PROCEDURE :

CAUTION
OBSERVE SAFE SHOP PRACTICES AT ALL TIMES. READ THE ENTIRE PROCEDURE BEFORE BEGINNING TO WORK.

a) Preparations :

1. Cut a length of approximately 24 inches (600 mm) of two-sided self-adhesive tape VH 660193602 and stick it to the top of reinforcement brace VH10726316 (see Figure 1). Remove the protective strip on the tape.

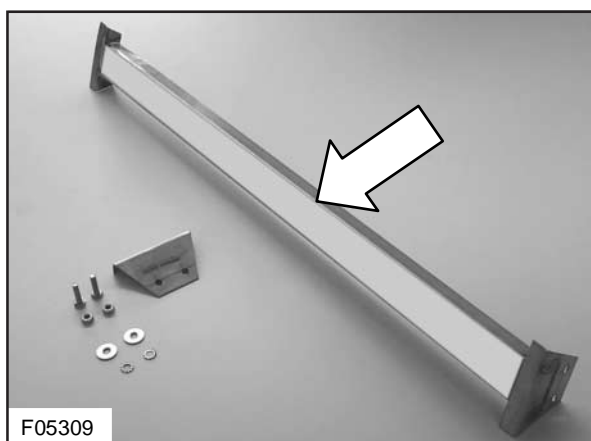


Figure 1 : Reinforcement brace with two-sided self-adhesive tape for aisle section above front axle

2. Cut a length of approximately 21 inches (530 mm) of two-sided self-adhesive tape VH 660193602 and stick it to the top of reinforcement brace VH10726402 (see Figure 2). Remove the protective strip on the tape.

K:\SERVICE\USA\PM\SB#\SB1071

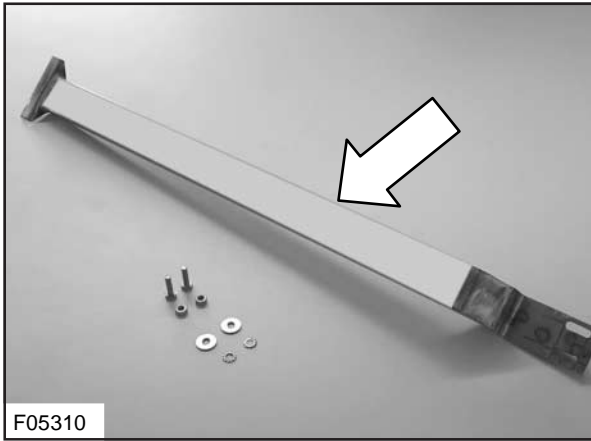


Figure 2 : Reinforcement brace with two-sided self-adhesive tape for aisle section above fuel tank

3. Park the coach on a level-surfaced service pit with the front wheels straight. Shut down the engine, apply the parking brake, switch off the ignition and master switch and leave a "Do not operate" tag on the instrument panel. Chock the road wheels.

b) To install a reinforcement brace for the floor frame above the fuel tank :

1. From inside the luggage compartment, remove the access panels to the main junction box.
2. Above the center section of the main junction box, undo and remove the two 6 mm bolts and nuts securing the top center access panel locking bracket to the top outer locking brackets (see Figure 3). Remove the center bracket.

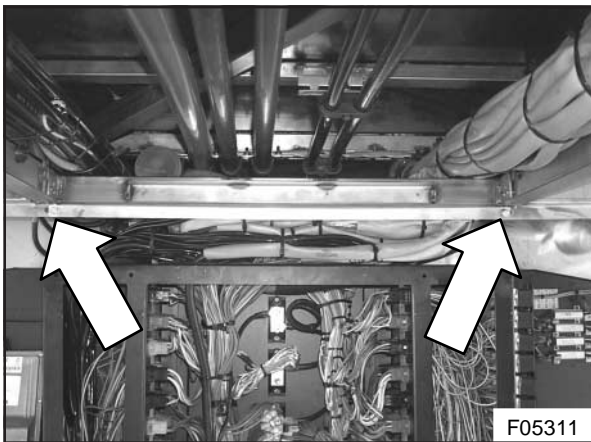


Figure 3 : Location of top center access panel locking bracket bolts

3. Dislodge the wire harness slack on top of the main junction box (see Figure 4),

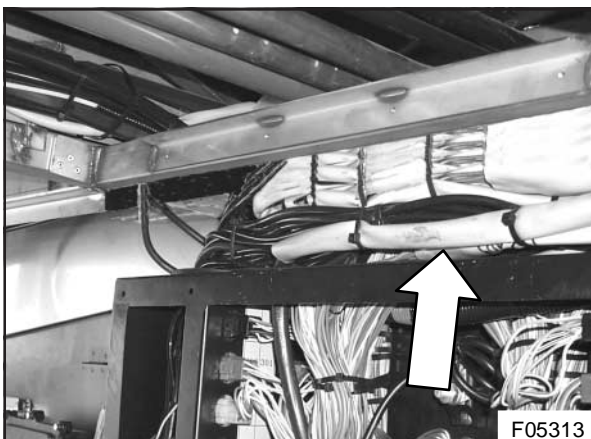


Figure 4 : Wire harness slack on top of main junction box

K:\SERVICE\USA\PM\SB#\SB1071

so that there is enough room to insert the reinforcement brace and the specially supplied guiding tool in the gap between the fuel tank and passenger compartment floor.

4. Insert the guiding tool in the gap between the hydraulic steering system lines and the wire harness (see Figure 5) and let it rest against the foremost chassis cross member as shown in 1, Figure 6. Have someone assist with a drop light and try to install the tool as close as practicable to the coach center line.

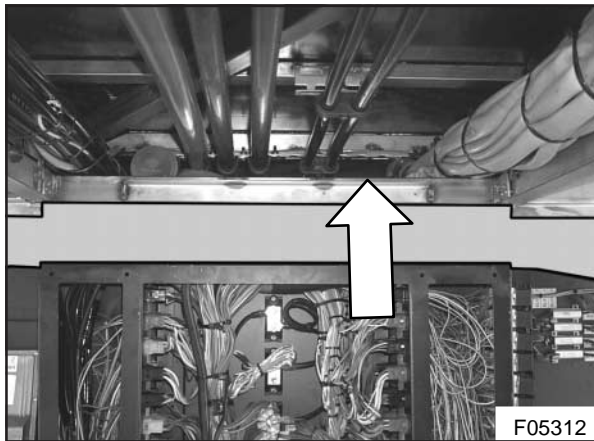


Figure 5 : Access opening to fuel tank compartment

5. Slip reinforcement brace VH 10726402 as shown in 2, Figure 6 on top of the guiding tool with the small angle bracket foremost, and position the lip of the bracket against the dividing line between the cross member and passenger compartment floor.

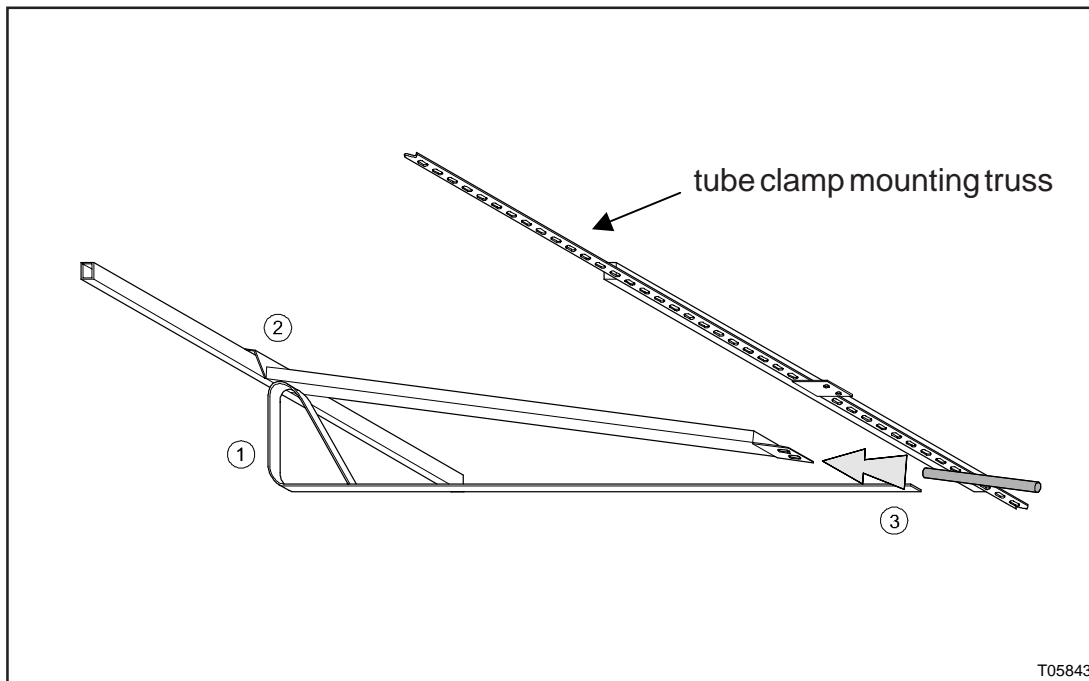


Figure 6 : Fuel tank compartment frame reinforcement brace installation, sequence I

6. Using a hammer and the specially supplied drift shown in 3, Figure 6, drive the lip of the angle bracket between the crossmember and the floor, until the bracket is fully seated.
7. Push the brace upwards, until the slots in the goose neck match the slots in the tube clamp mounting truss (see 1, Figure 7). Fit the two M6 bolts, nuts and washers (see 2, Figure 7). Tighten to a torque of 7 to 11 ft.lbf (9 to 15 Nm).

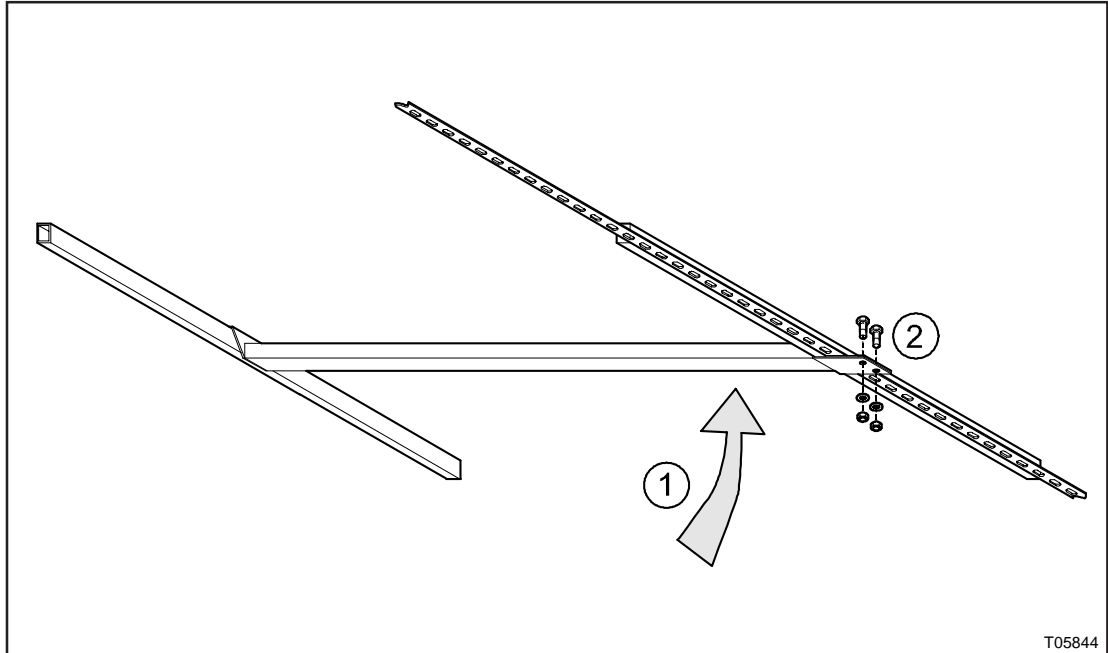


Figure 7 : Fuel tank compartment frame reinforcement brace installation, sequence II

8. Reinstall and secure the wire harness slack using wire straps as necessary. Reinstall the top center access panel locking bracket, and the junction box access panels.

c) To install a reinforcement brace for the floor frame above the front axle :

1. Working underneath the coach, above the front axle, position L-shaped mounting bracket VH 10726302 (see Figure 8) as close as possible to the coach center line against the foremost chassis crossmember with the shorter lip facing forward. Drive the bracket between the crossmember and the plywood passenger compartment floor with a hammer (see 1, Figure 9).

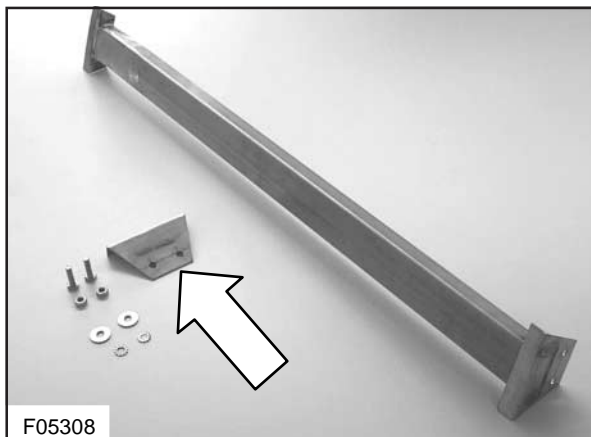


Figure 8 : L-shaped mounting bracket VH 10726302

K:\SERVICE\USA\PM\SB#\SB1071

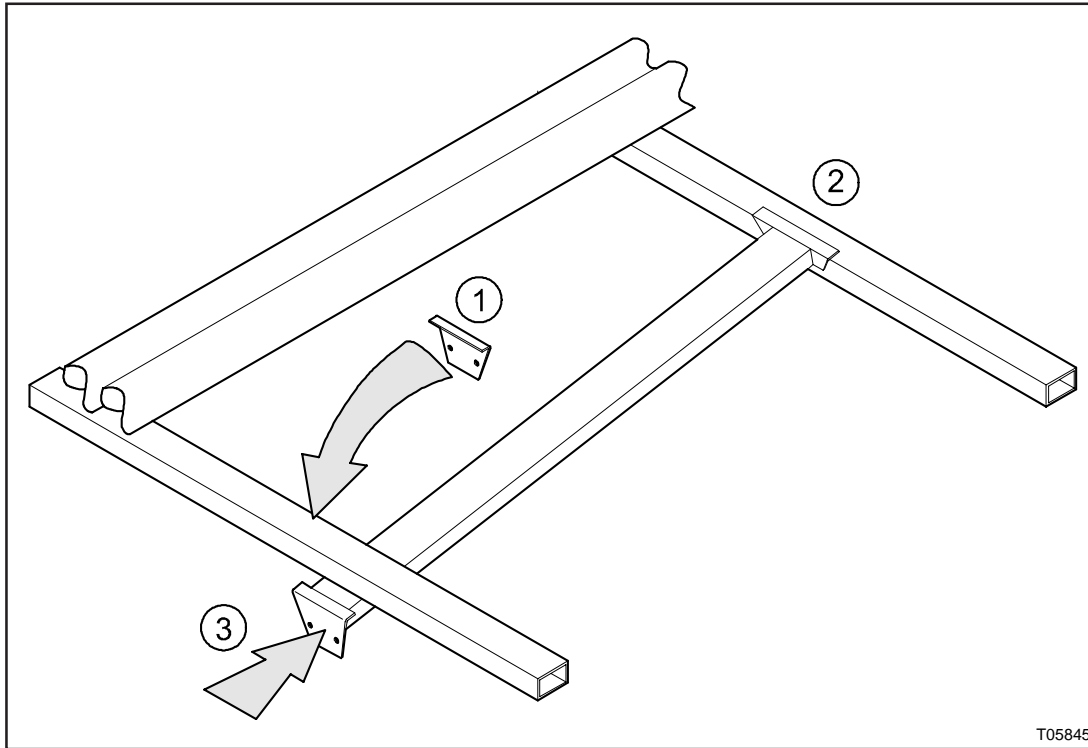


Figure 9 : Front axle frame reinforcement brace installation, sequence I

2. Position the angle bracket of reinforcement brace VH10726316 against the opposite crossmember (see 2, Figure 9), as close as possible to the coach center line. Drive the lip between the crossmember and the plywood passenger compartment floor using a hammer and drift (see 3, Figure 9).
3. Push the brace upwards, until the holes in the brace cross-bracket match the holes in the L-shaped mounting bracket (see 1, Figure 10). Fit the two M6 bolts, nuts and washers (see 2, Figure 10). Tighten to a torque of 7 to 11 ft.lbf (9 to 15 Nm).

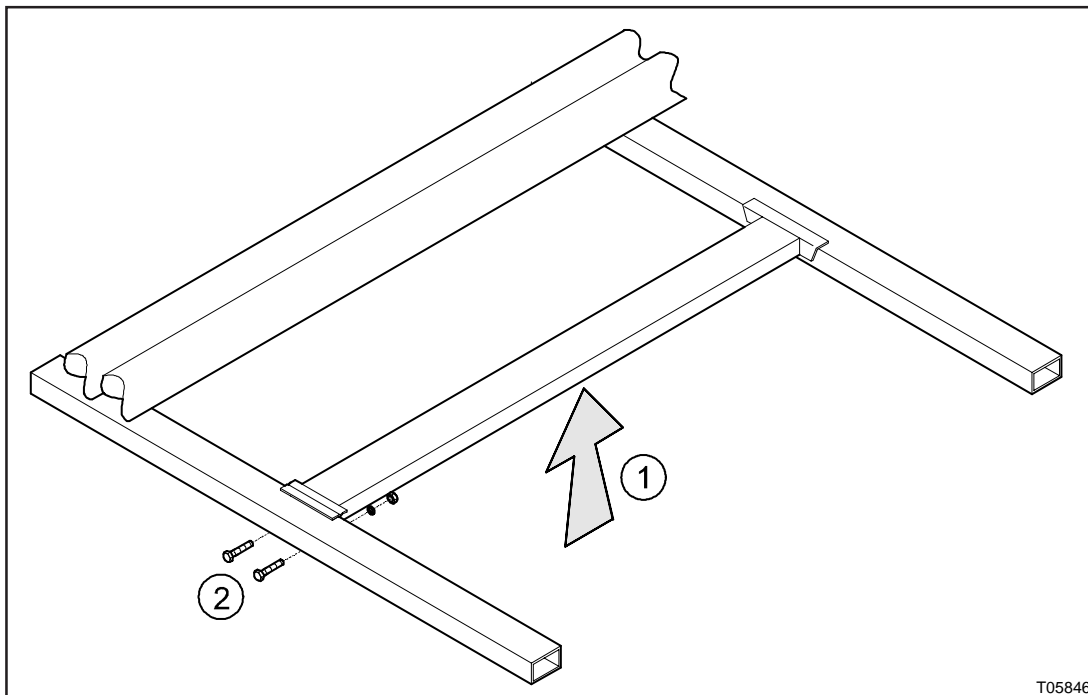


Figure 10 : Front axle frame reinforcement brace installation, sequence II

Service procedure complete.

K:\SERVICE\USA\PM\SB#\SB1071