



The Odyssey family of buses provides a first-class travel experience on the Ford chassis. Turtle Top includes a five-sided steel cage and other standard equipment most consider optional. We stand behind the Odyssey with our excellent warranty, so cast worry and high operating costs aside.



**DC Fast Charge in  
under 2 Hours**



**Gradeability 30% @GVWR**



**Proterra battery  
between frame rails**

Eliminate range anxiety with ABC Electric Vehicles. A full charge on our Proterra trusted batteries provides 120 miles of range with proper driving. Recharge in just an hour and a half with DC fast charge. Our onboarding includes comprehensive operator training to maximize range and efficiency. Enjoy the responsiveness of our all-electric engine. Passengers will appreciate the quiet, smooth ride with no fumes. Do your part to reduce carbon emissions and integrate EV into your fleet.

**SVT**



*This vehicle is a part of ABC Companies SVT offering.  
To learn more visit [abc-companies.com/SVT](http://abc-companies.com/SVT) or follow the QR Code.*

SALES | SERVICE | PARTS | SUPPORT | FINANCE

[www.abc-companies.com](http://www.abc-companies.com)



## Chassis Equipment

E-Ford 450 VMC Optimal E1 Electric Chassis  
 Proterra Battery Capacity 113 kWh  
 Motor 280 kW  
 Charge Level 2 AC Standard Charge in 8 hours  
 DC Fast Charge (Optional) In < 2 hours



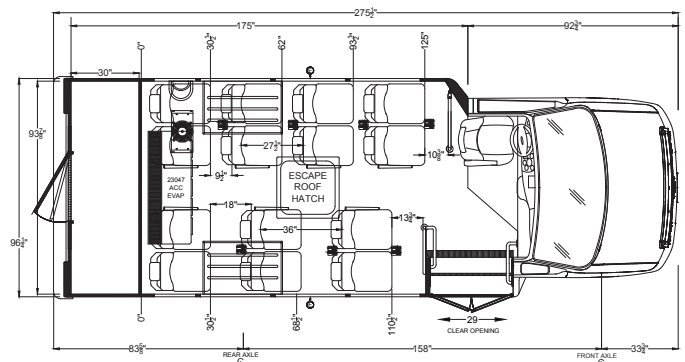
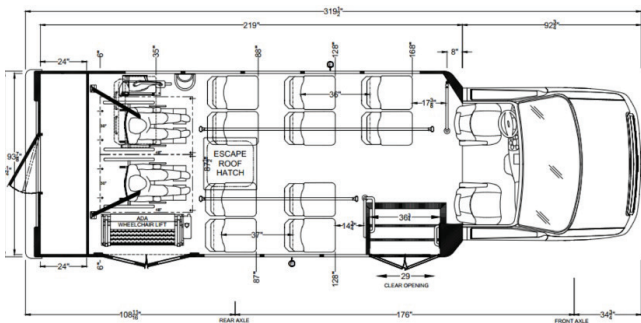
## Standard Body

Aerodynamic Shell  
 5-sided Steel Roll Cage with Rust Inhibitor  
 Standard White Full Body Paint  
 Many Window Styles and Sizes  
 Exceeds FMVSS Regulations

## Options

Custom Paint and Graphics  
 DC Fast Charge  
 Wheelchair Lift & Location  
 Multiple Window Size, Style, and Locations  
 Luggage Racks  
 Luxury Seating  
 Passenger Capacity from 12-19

## Popular Floorplans



**Max Capacity**  
*(Incl. Driver)*

19

**Interior Height**

*Raised Floor*  
 76"

*Lowered Floor*  
 80"

**Exterior Height**

*(Not incl. rooftop options)*

115"

**Interior Width**

94"

**Exterior Width**

*(Not incl. Mirrors)*

96"

**Overall Length**

23'

**Wheelbase**

158"

**GVWR** *(Up to)*

14,500

**Ground to First Step**

12"

**Step Riser Height**

*Raised Floor*  
 7.5"

*Lowered Floor*  
 9"

**Step Run Depth**

9"

**Braun 1000 lb. Lift**



SALES | SERVICE | PARTS | SUPPORT | FINANCE

[www.abc-companies.com](http://www.abc-companies.com)

